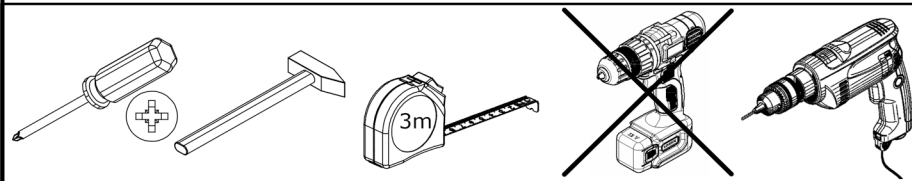
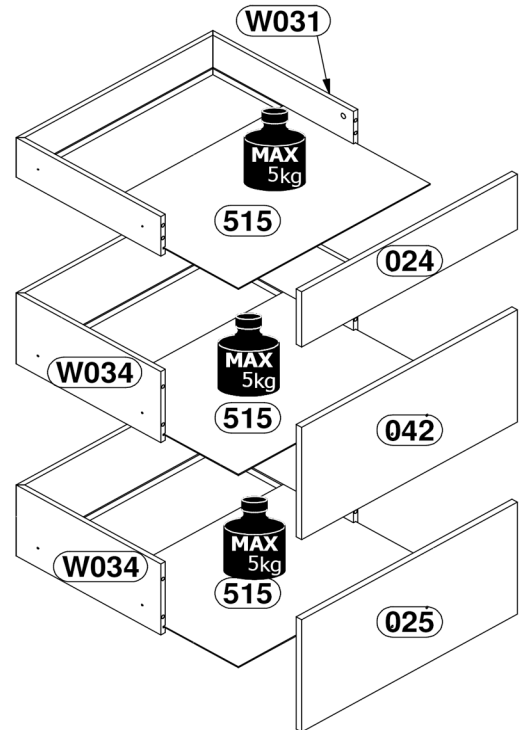
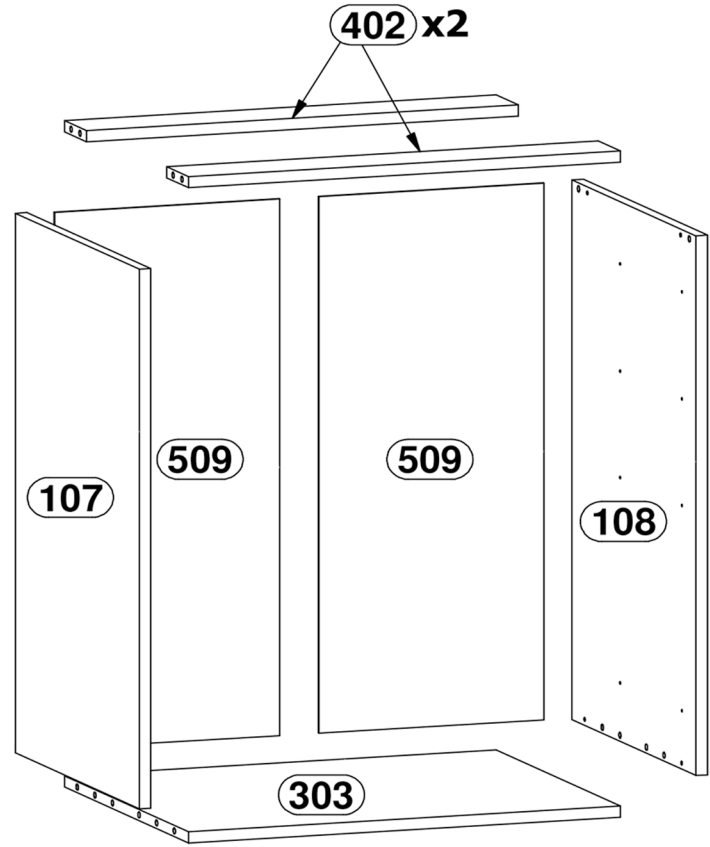
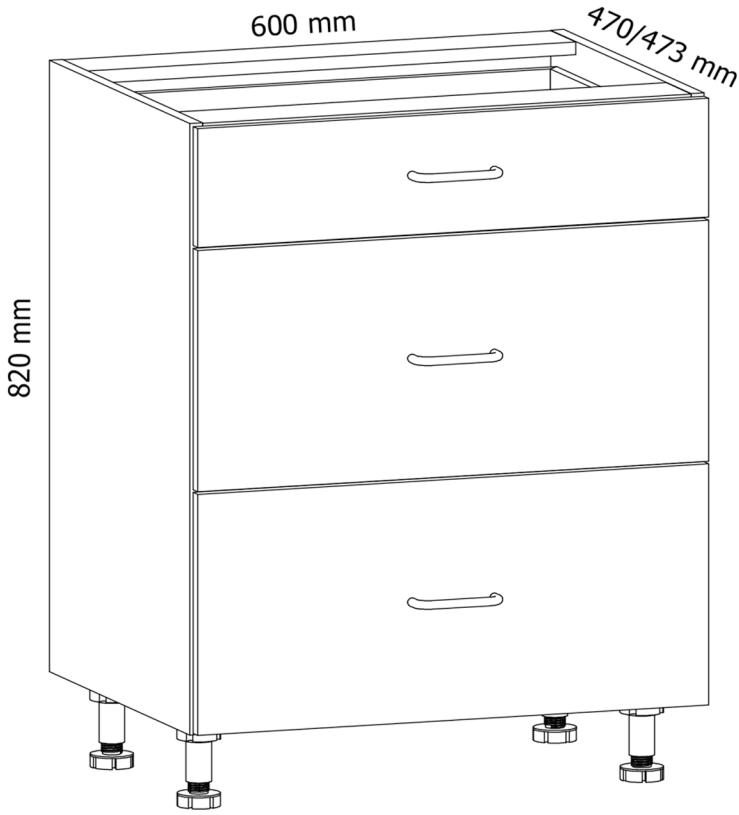


D60S3

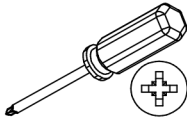
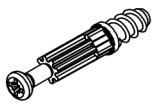
S60/3SZ



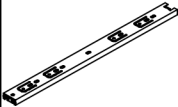
A1 x 18 Ø8x35mm	B1 x 14 Ø5x38mm	C1 x 8 Ø15x12mm	C2 x 6 Ø12x10mm	G1 x 26 26mm
H x 1 715mm	J x 6 Ø21mm	L1 x 4 Ø50x95mm	Pc x 6 400mm	S3 x 3 400mm
U x 3 	W1 x 24 Ø3,5x13mm	W2 x 28 Ø3,5x16mm	X x 6 	

1

B1 x 8

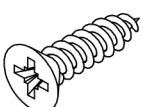


Pc x 6



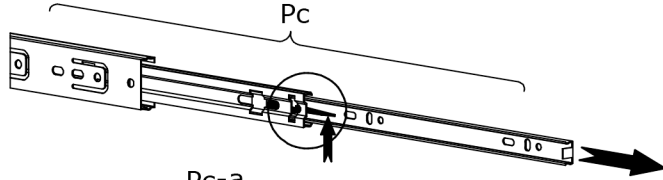
400mm

W2 x 12

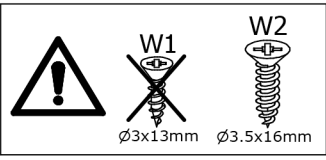
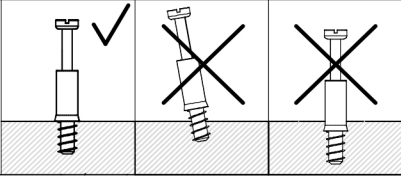
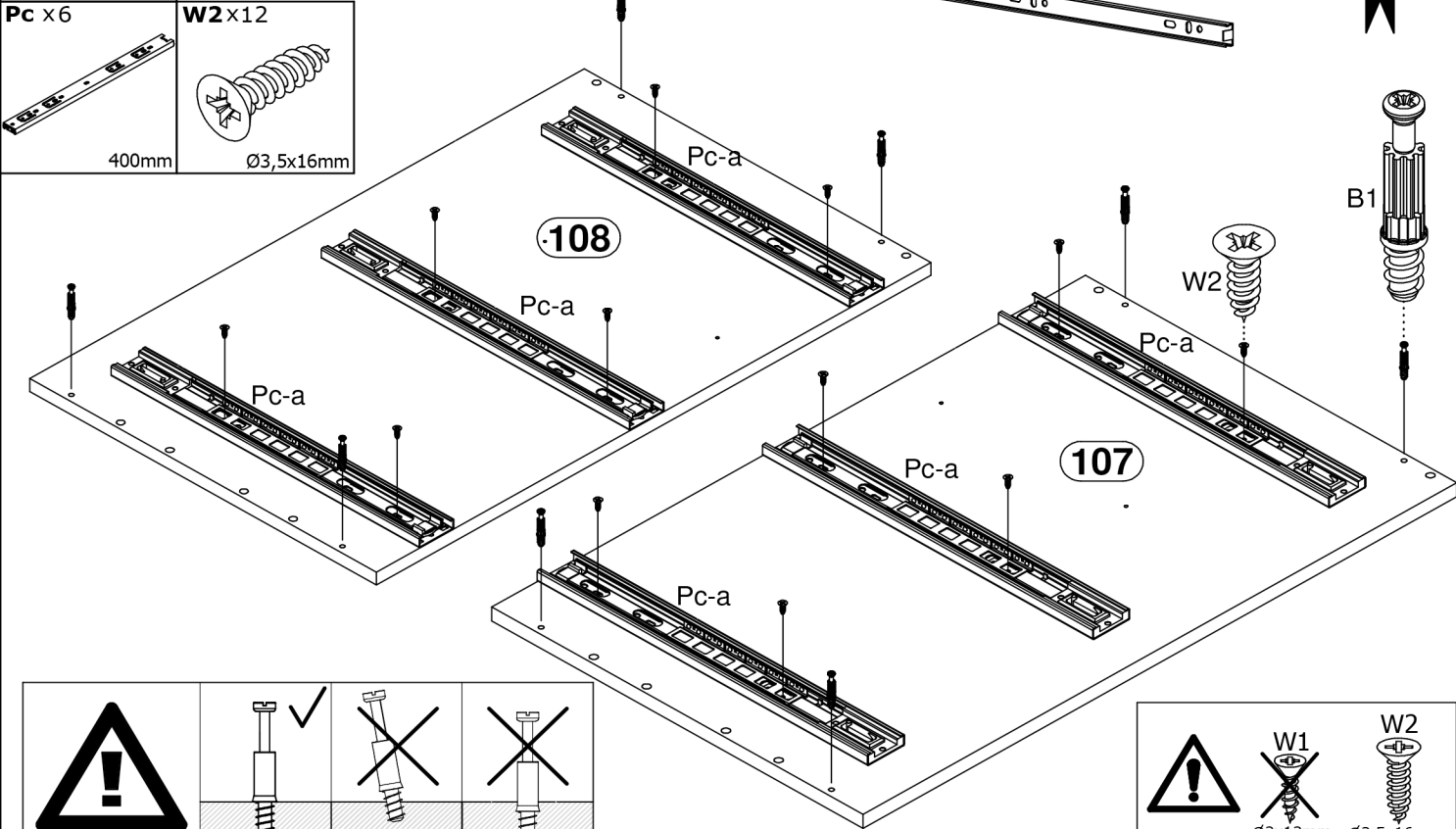
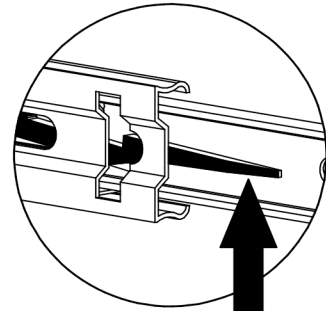
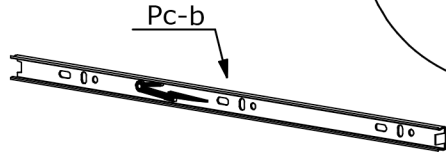
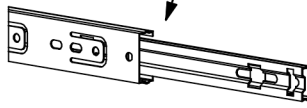


Ø3,5x16mm

I

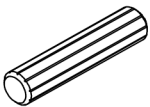


II



2

A1 x 12

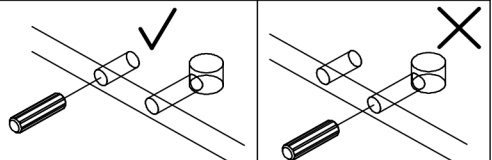
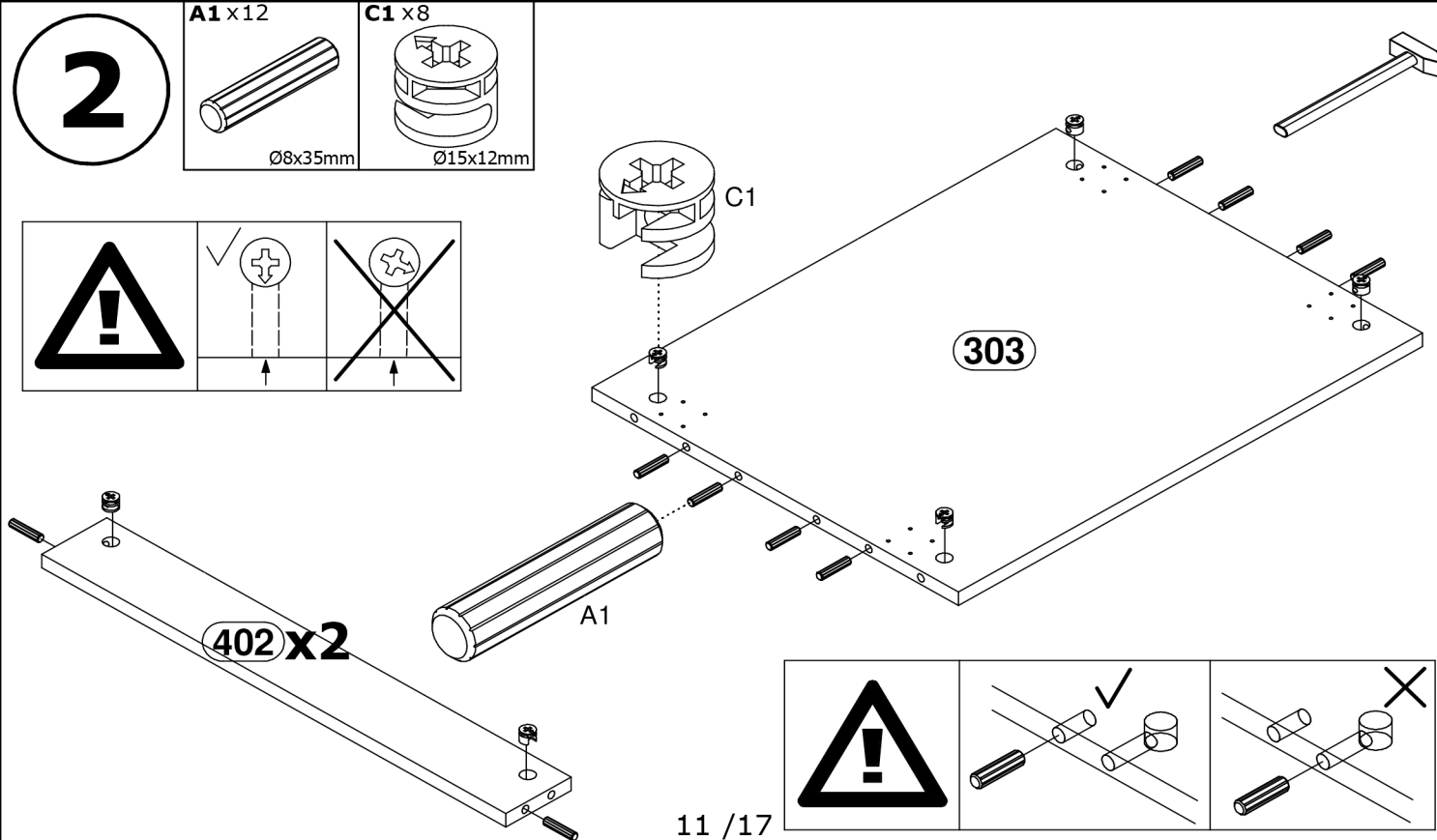
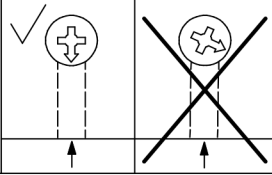


Ø8x35mm

C1 x 8

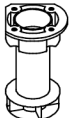


Ø15x12mm



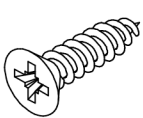
3

L1 x 4

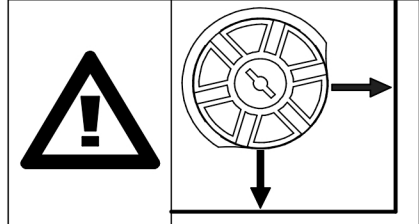
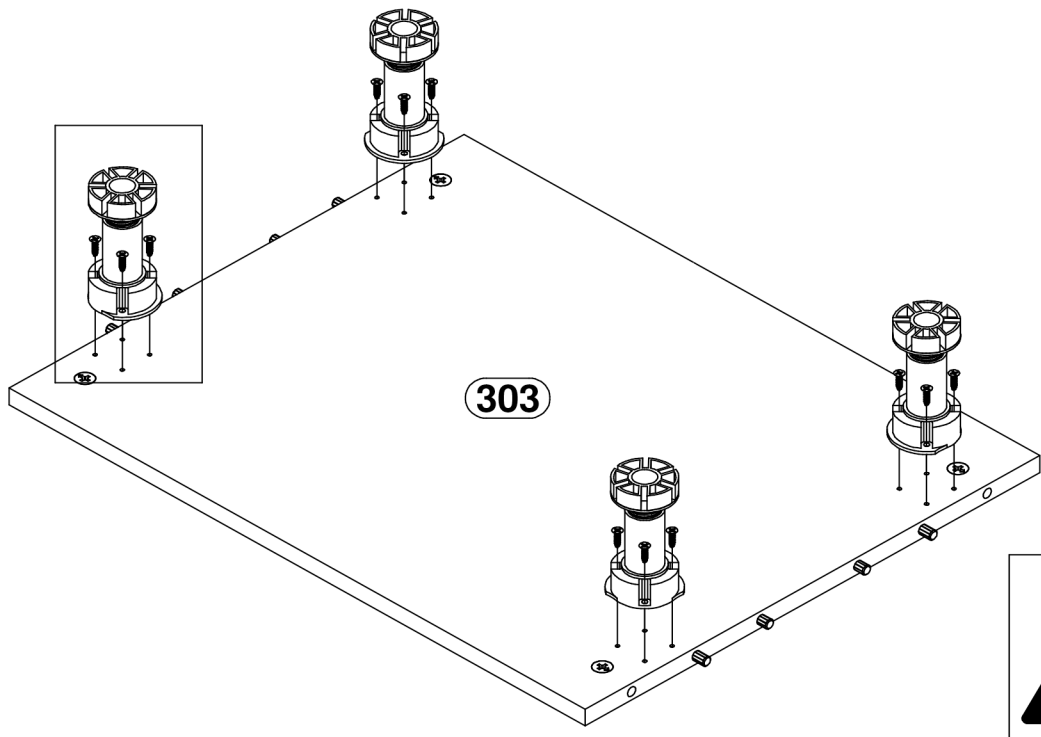
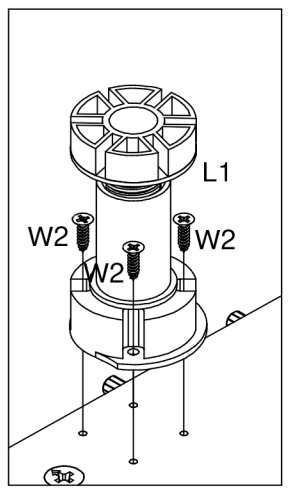
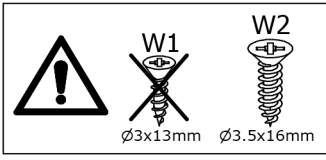
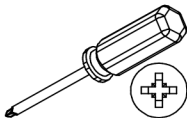


Ø50x95mm

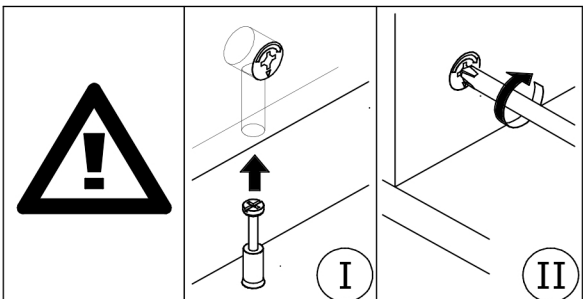
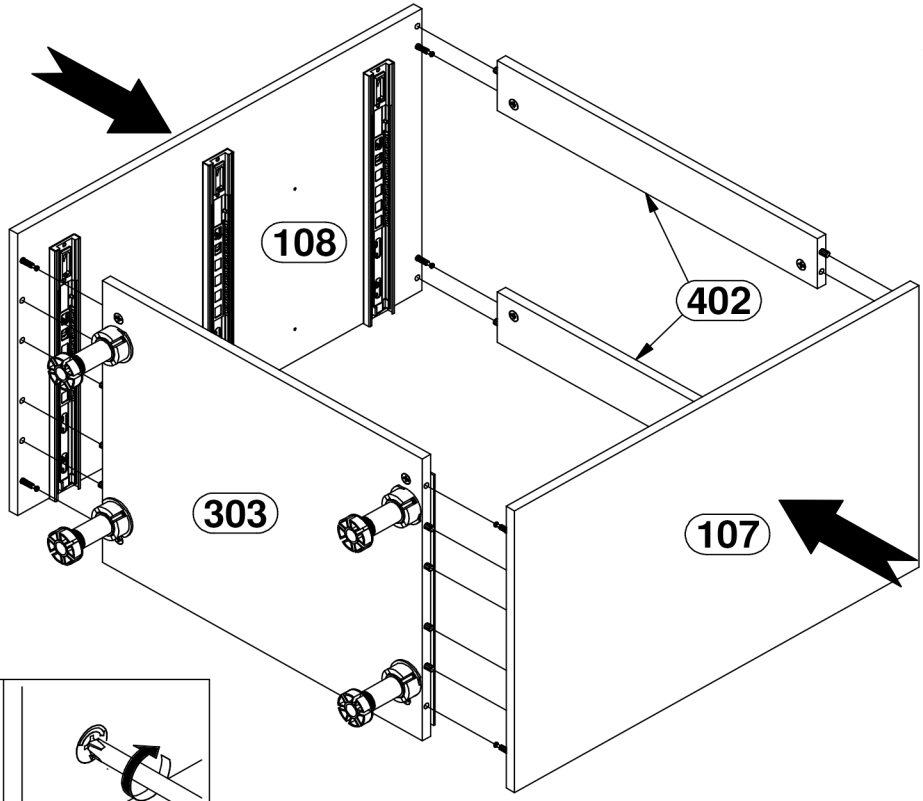
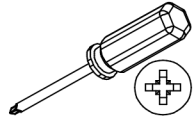
W2 x 16



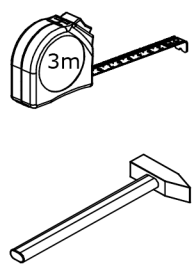
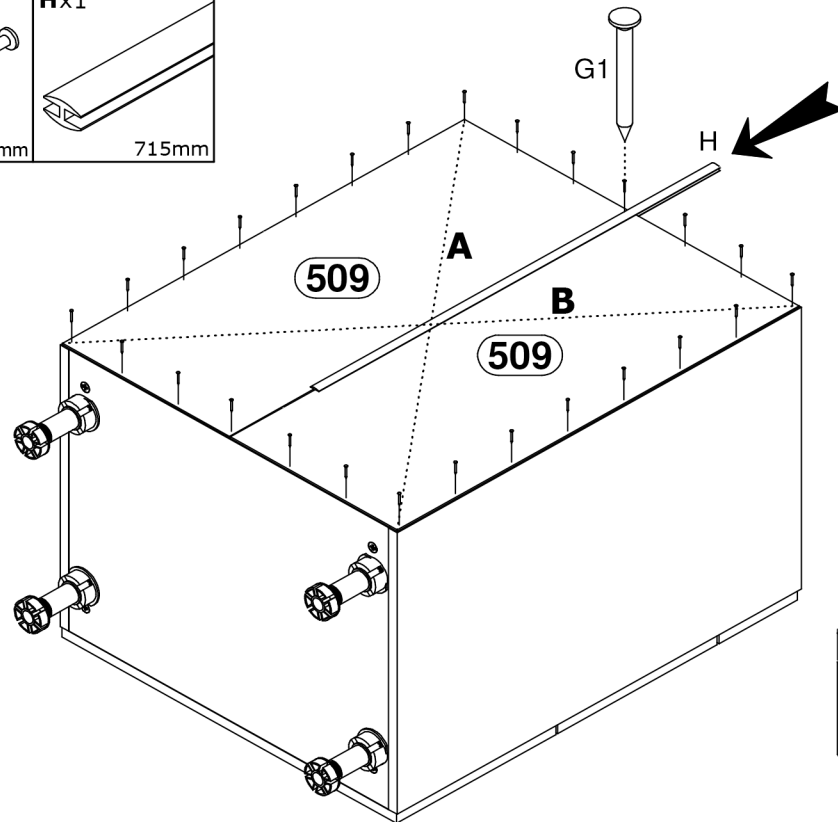
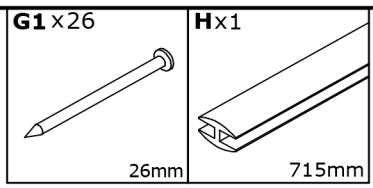
Ø3,5x16mm



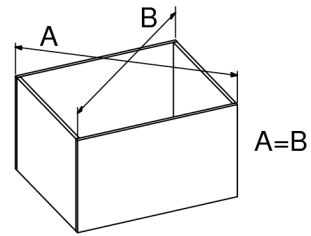
4



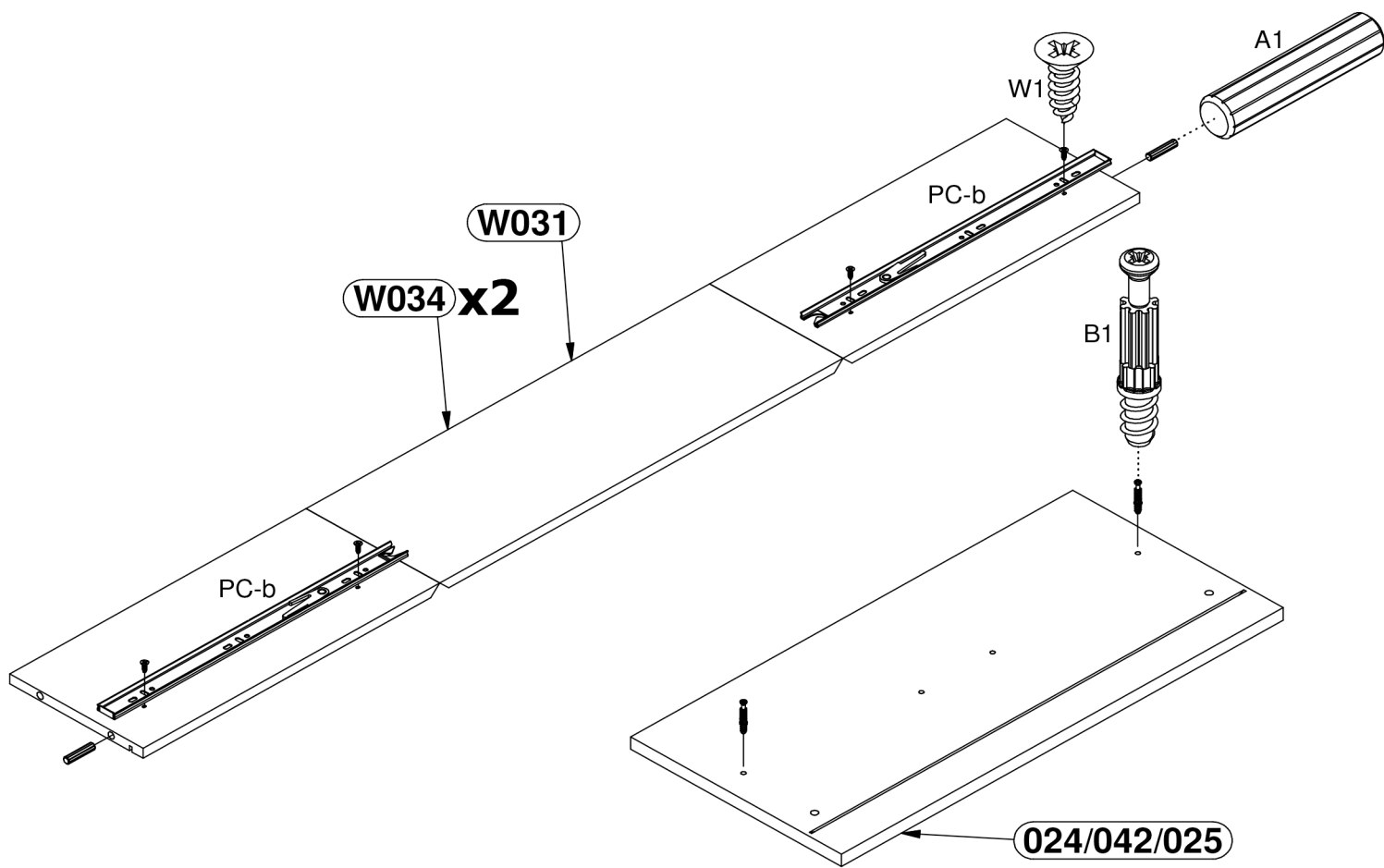
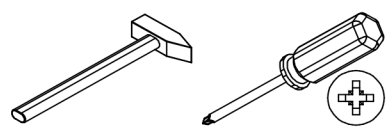
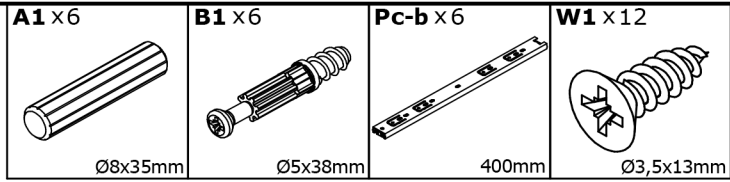
5



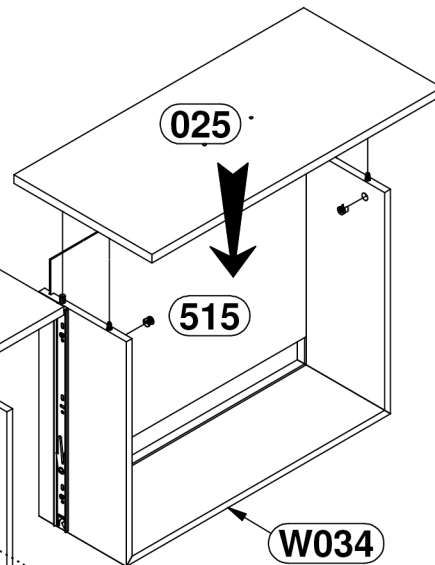
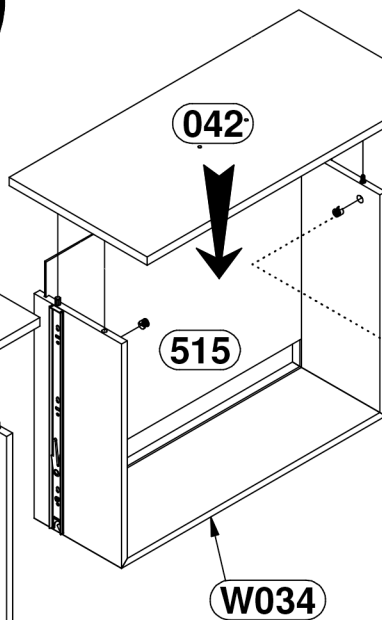
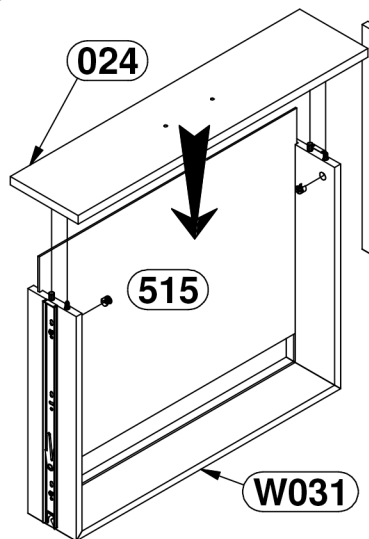
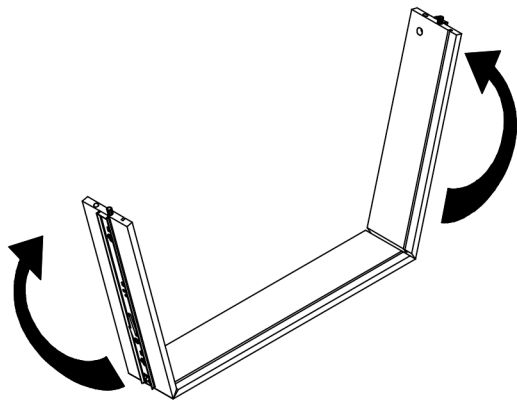
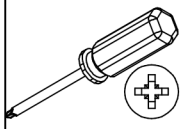
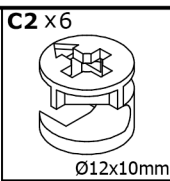
A=B ≡ 90°



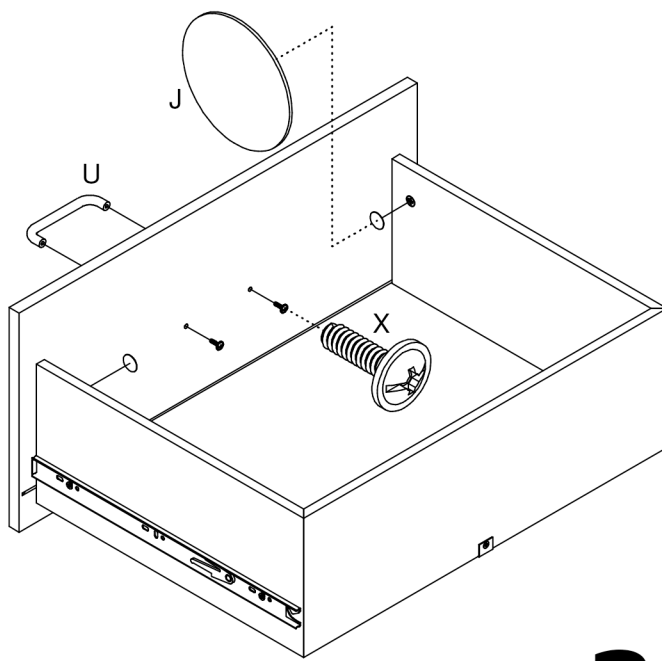
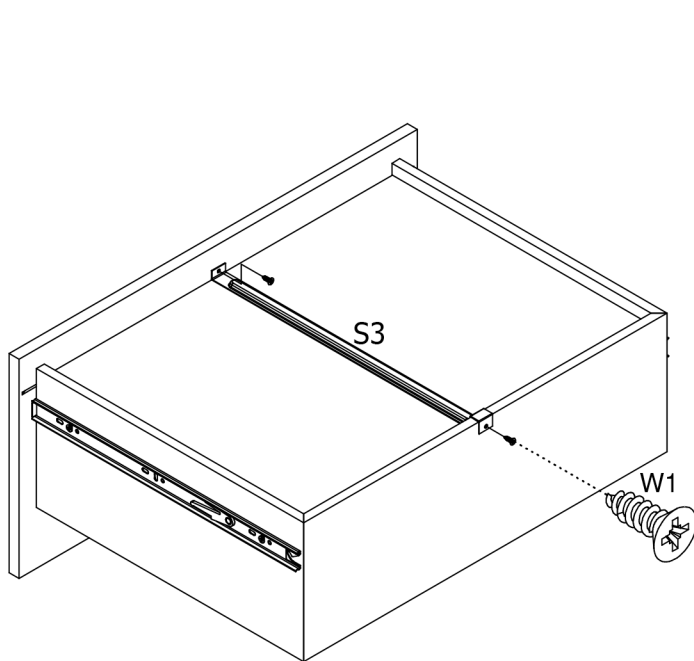
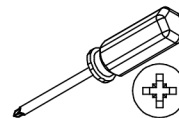
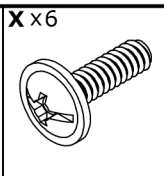
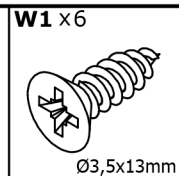
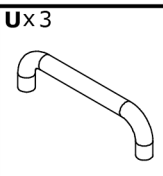
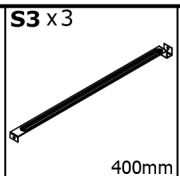
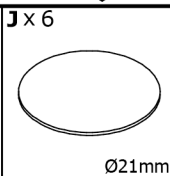
6



7

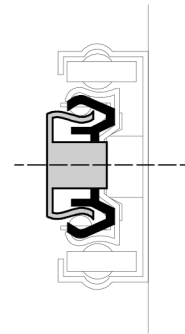
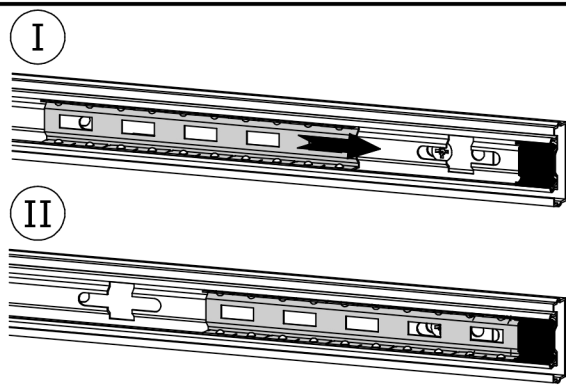
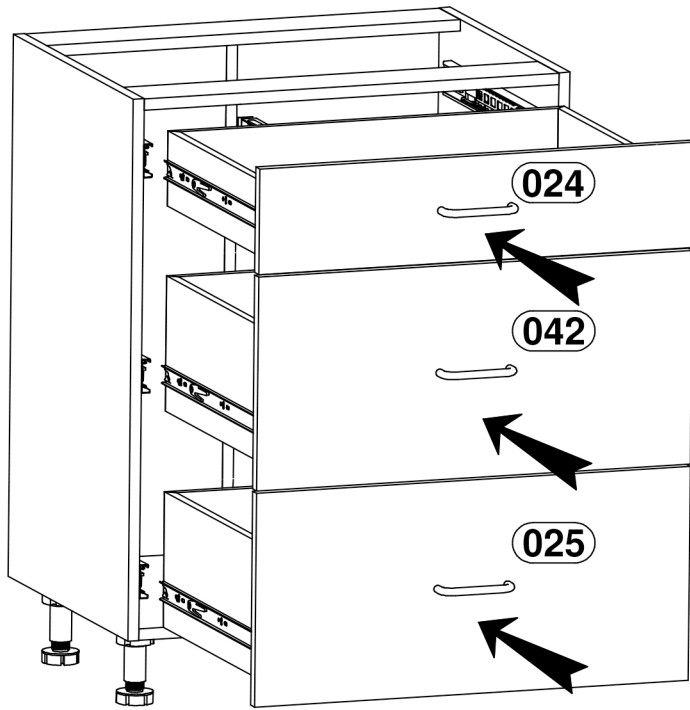


8

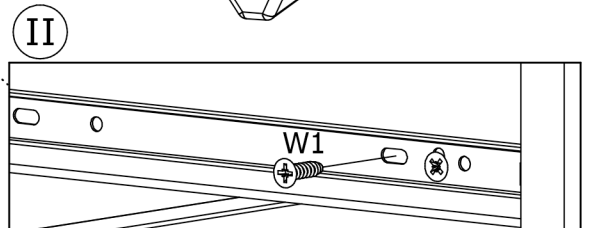
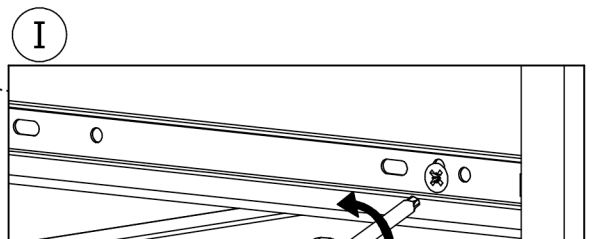
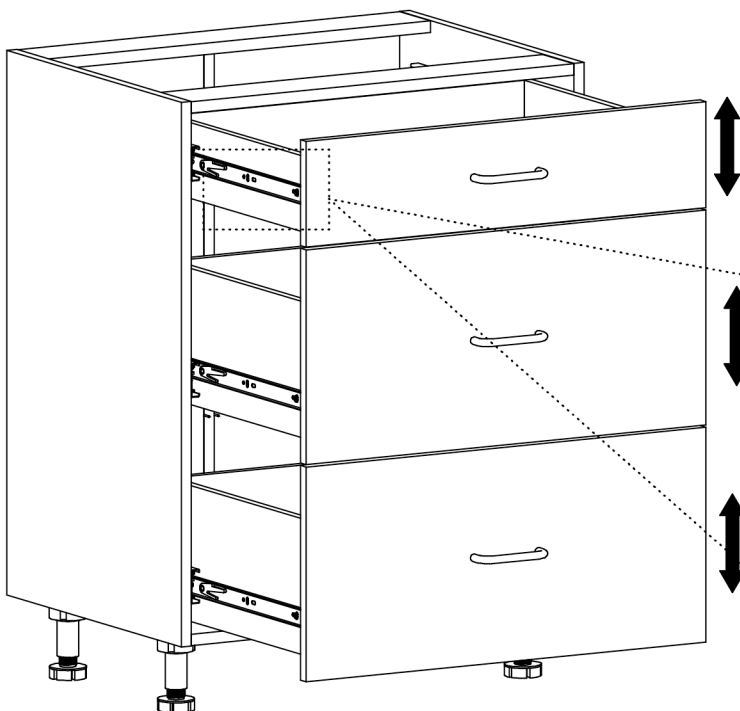
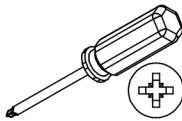
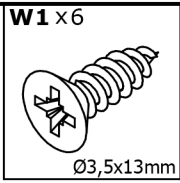


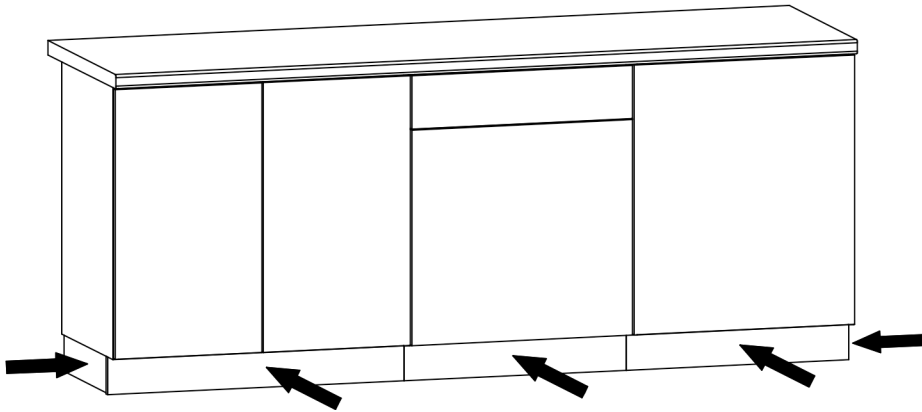
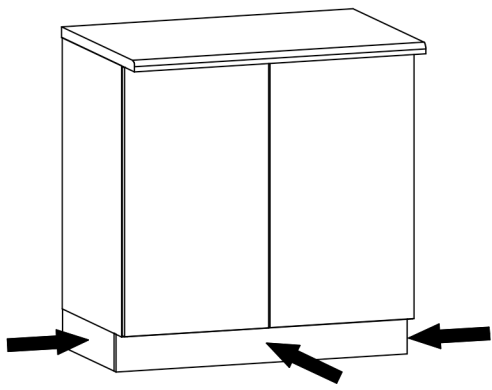
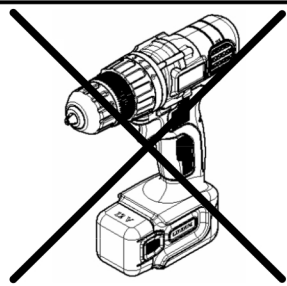
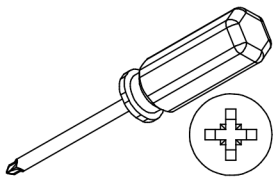
x3

9

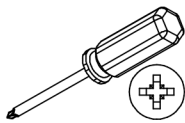


10

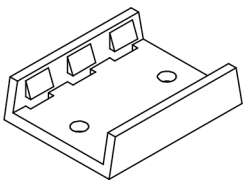




C1

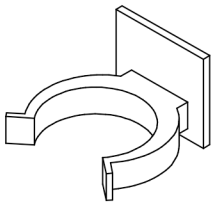


L6-a x4



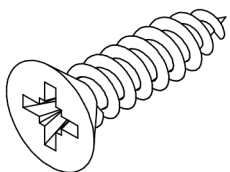
38x30x10mm

L6-b x4

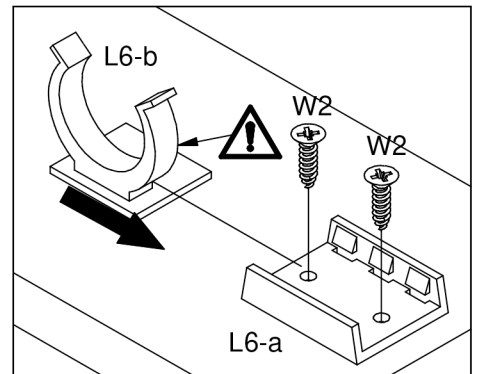
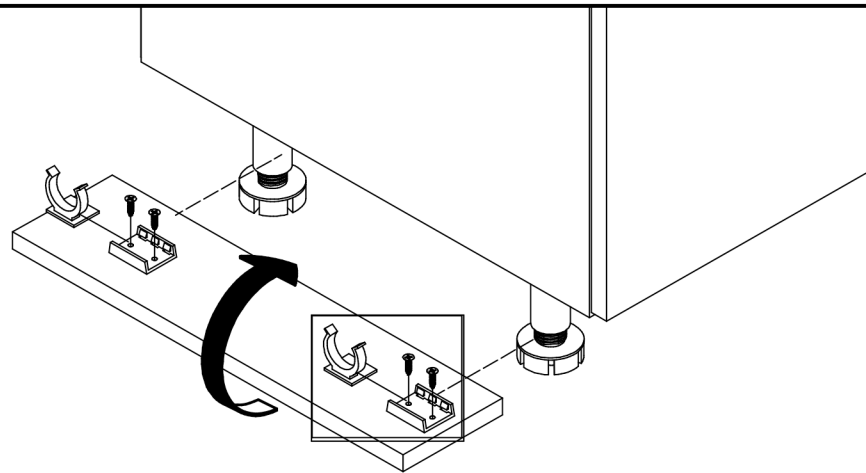


35x32x25mm

W2 x8

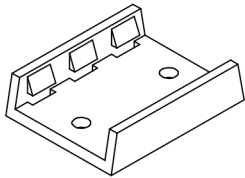


Ø3,5x16mm



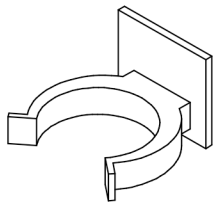
C2

L6-a x 2



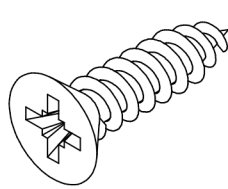
38x30x10mm

L6-b x 2



35x32x25mm

W2 x 4



Ø3,5x16mm

